



**SAFARI  
RANGER**



**Be Sure  
to Read this  
Manual  
Before Use**

# Operation Manual



[www.universal-space.com](http://www.universal-space.com)

# CONTENT

<b>IMPORTANT SAFETY INSTRUCTIONS .....</b>	<b>2</b>
<b>1. SPECIFICATIONS .....</b>	<b>4</b>
<b>2. PACKAGE CONTENTS .....</b>	<b>5</b>
<b>3. PART NAME .....</b>	<b>6</b>
<b>4. SET UP &amp; INSTALLATION .....</b>	<b>7</b>
<b>5. HOW TO PLAY .....</b>	<b>10</b>
<b>6. GAME OPTION .....</b>	<b>11</b>
<b>8. MAINTENANCE &amp; INSPECTION .....</b>	<b>16</b>
<b>9. OVERALL CONSTRUCTION .....</b>	<b>17</b>
<b>10. Decals .....</b>	<b>27</b>

Thank you for purchasing **Safari Ranger** from Universal Space. We hope you enjoy the product.

This manual contains valuable information about how to operate and maintain your game machine properly and safely. It is intended for the owner and/or personnel in charge of product operation. Carefully read and understand the instructions.

If you need any help during installation and setup please utilize this manual and troubleshooting guide. If the product fails to function properly, *non-technical personnel should under no circumstance attempt to service the machine*. Contact your distributor or manufacturer for help.

Before use, please read **IMPORTANT SAFETY INSTRUCTIONS**.

## **IMPORTANT SAFETY INSTRUCTIONS**

**To ensure the safe usage of this product, carefully read and understand these instructions before operating your game.**

**Save these instructions for future reference.**

Use this product only as described in this manual. Other uses not recommended may cause fire, electric shock or personal injury. Unplug the game from the outlet when not in use, when moving from one location to another, and before cleaning/servicing.

Explanations which require special attention are indicated by signs of warning. Depending on the potential hazardous degree, the terms: **NOTE**, **NOTICE**, and **WARNING** are used.

**NOTE:** A NOTE indicates useful hints or information about product usage.

**NOTICE:** A NOTICE indicates potential damage to product and how to avoid the problem.

**WARNING:** A WARNING indicates a potential for product damage or serious personal injury.

It is important to understand the meaning of the following HAZARD SIGNS before continuing:

### **High Voltage and Shock Hazard:**

High voltage can cause electric shock.  
Turn off/unplug power before servicing.



### **High Temperature Hazard:**

This part may cause scalding.  
Do not touch. Surface may be hot.



### **No Touching Hazard:**

This part may be hot or can cause electric shock.  
Do not touch.



Use the following safety guidelines to help ensure your own personal

safety and to help protect your equipment and surrounding environment from potential damage.



**This product is an indoor game machine. Do not install outdoors.**

Avoid installing in the following places to prevent fire, electric shock, injury and/or machine malfunctioning:

- Places subject to rain/moisture, or places subject to high humidity.
- Places subject to direct sunlight, or places subject to extremely hot or cold temperatures to ensure that it is used within the specified operating range.
- Places where inflammable gas may be present or in the vicinity of highly inflammable/volatile chemicals or items that can easily catch fire
- On unstable or sloped surfaces. The machine may topple or cause unforeseen accidents.
- Vicinity of fire exits, fire extinguishers etc that may block/prevent safety measures

**IMPORTANT NOTE:**

**ALL REPAIRS MUST BE DONE TO ORIGINAL MANUFACTURER SPECIFICATIONS. FAILURE TO DO SO VOID ALL WARRANTIES AND OPERATOR ASSUMES ALL RISKS.**

Note: The contents of this manual may be updated without notice.

# 1. SPECIFICATIONS


Rated power supply: **AC110V 50/60Hz**

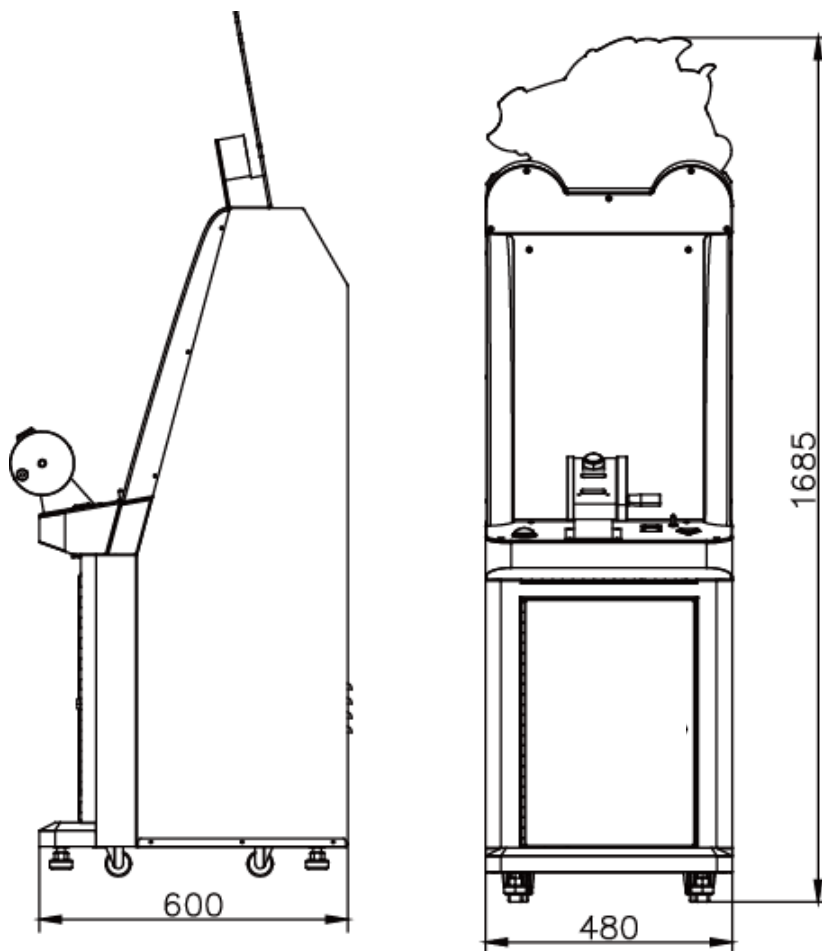
Min. Power consumption: **45W**

Max. Power consumption: **60W**


Dimensions: **W665×D480×H1730(mm)**

Weight: **Approximately 79kg**

 **NOTICE:** After turning off the game, please wait at least 1 minute before restarting again.







**Note:** Game parameters are subject to change without notice.

 **NOTICE:** After turning off the game, please wait at least 1 minute before restarting again.

## 2. PACKAGE CONTENTS

Open the package and make sure all the items are included:

1. 1 x Body Assembly
2. Following accessories

No.	Part No.	Code No.	Name	Spec.	Qty	Picture
1	S135-421-000	23301010019	Power cord	3×16AWG 1.8m	1	
2	S135-424-000	21901000010	Fuse	T3A/250VAC Φ5X20mm	1	
3	S135-422-000	41300000005	Memory stick	8G	1	
4	S135-726-000	41440000116	Manual	ENGLISH	1	
5	S135-419-000	25300171002	Key	171	1	
6	S135-420-000	25300172002	Key	171B	1	

**NOTE:** Part models are subject to change without notice.

### 3. PART NAME



## 4. SET UP & INSTALLATION

**!** This product is an indoor game machine. Do not install outdoors.

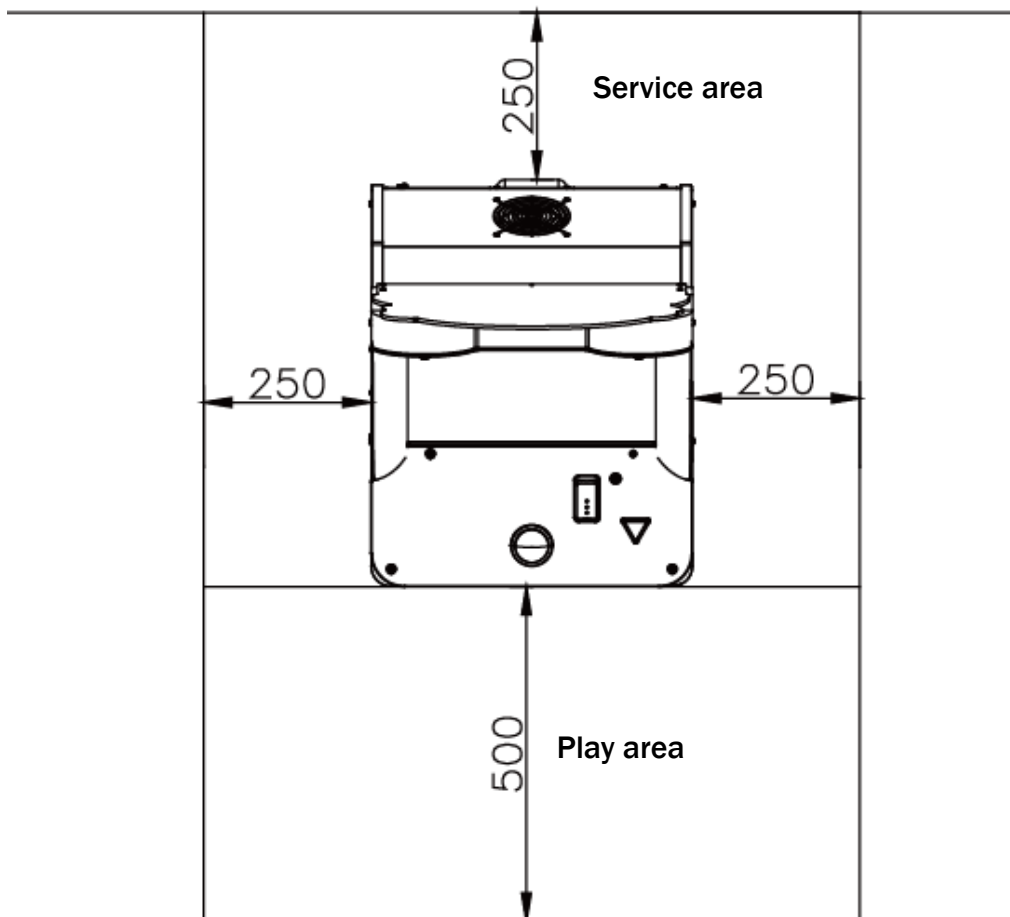
- Refer to IMPORTANT SAFETY INSTRUCTIONS (Pg. 2) for places to avoid
- Place the unit on a dry level surface
- Ventilation openings in the back of the unit must not be obstructed by objects or by wall.

### 4.1 Play Zone

This machine requires space for playing and for maintenance as shown below. Leave space around the game upon installation:

**Service area: 250mm**

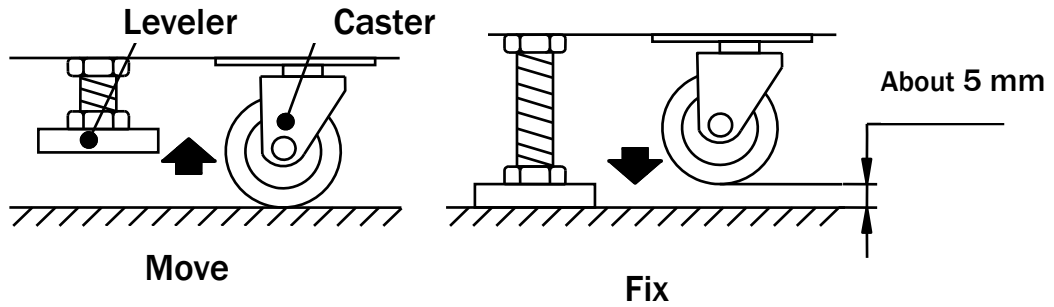
**Play area: 500mm**



### 4.2 Level Adjustment

Install this machine on a flat surface. Adjust levers to lift casters off the ground to level the game. If the game is installed on an unsuitable floor, it could cause game malfunction.

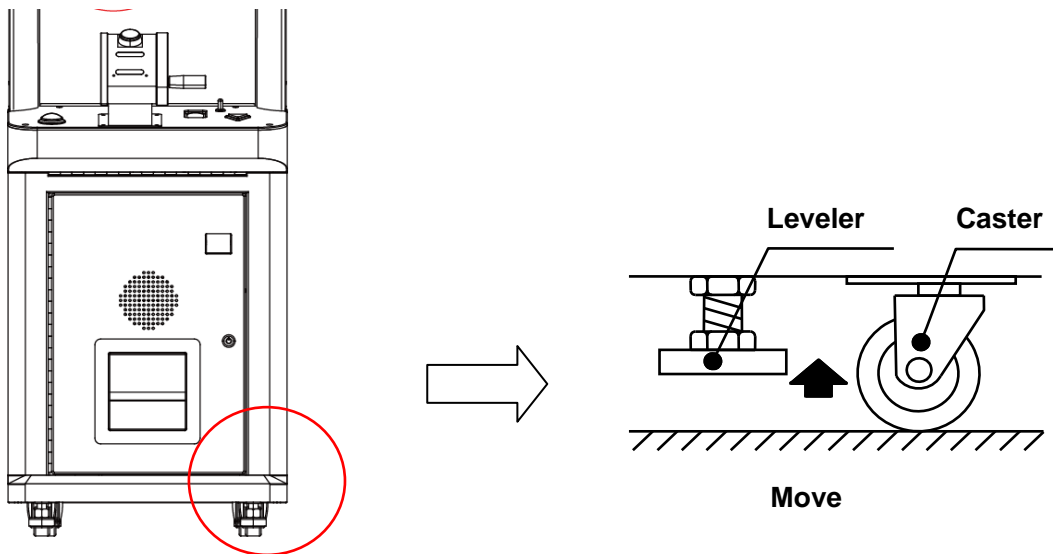
To secure the game, adjust the Leveler down until it touches the floor, lifting the casters off the ground by 5mm. Repeat the same for all levelers.



**NOTICE**  
Make sure the machine is level with the ground and all the adjustable legs should stick to the floor closely.

### 4.3 Transporting the Game

If you need to move the game, adjust the levelers back to an “up” position so the casters touch the ground.



**NOTICE**

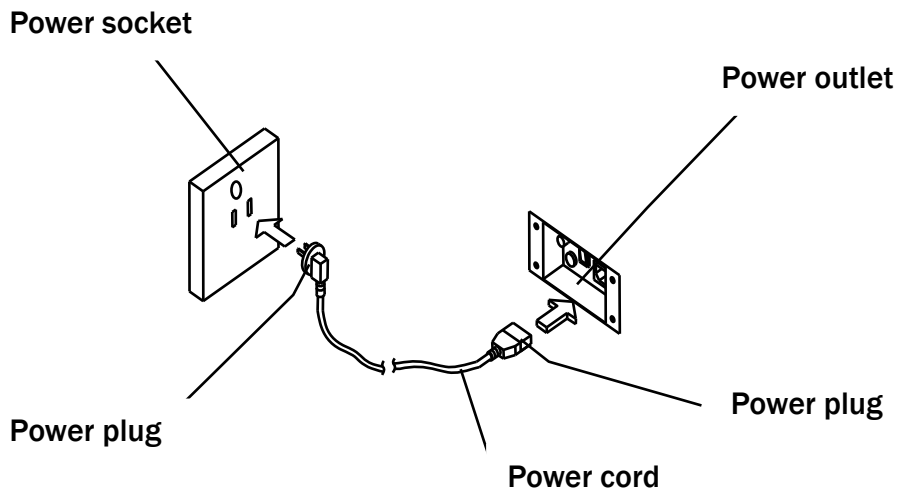
- Be careful not to damage the machine during transport.
- The machine should be handled with care when bringing it down from a higher level.
- Always unplug the game before moving.
- Keep the machine in upright position during transport.
- For longer distance transport, package the game properly to prevent damages.

### 4.4 Connecting Power

**WARNING:** Check the voltage rating before you connect the equipment to

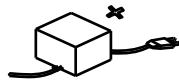
an electrical outlet to ensure that the required voltage and frequency match the available power source. Please refer the label of the machine.

- Do not plug the equipment power cables into an electrical outlet if the power cable is damaged.
- Avoid putting many loads on one electrical outlet as it could generate heat and fire resulting from overload.
- Connect the grounding conductor to the earth terminal (GND):

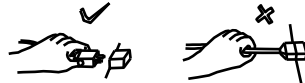


### WARNING

Ensure no heavy objects rest on the power cord. Check to make sure the game cabinet does not sit on the power cord as this could damage the cord and become hazardous.



To disconnect the game, grip the plug and pull it from the wall outlet. Never pull by the cord.



To prevent electric shock, do not touch the power plug when hand is wet.



Ensure that nothing rests on the power cord and that it is not located where it can be stepped on or tripped over.

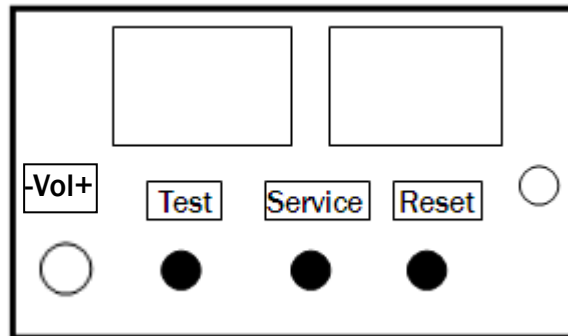


## 5. HOW TO PLAY



## 6. GAME OPTION

Open the front door and there is a meter on the coin box. Press Test button on the meter and get into the setting menu.










### Main Menu

	English	Note
1	Game Mode	
2	Input Test	
3	Output Test	
4	Game Reset	
5	Language 语言选择	EN/CN
6	Time Setting	
7	Book Keeping	
8	Exit Without Save	
9	Exit & Save	







### Game Mode

	English	Note
1	Free Play	ON/OFF
2	Coins per Round	1-10
3	Average prize out	1-20 Game/prize
4	1 prize = X coins	$X = \text{Coins per Round} \times \text{Average prize out}$
5	Average Score	5-100 score/game
6	Target Score	
7	Auto Play Time	5-60(s)
8	Game Duration	5-90(s)
9	Resistance test	1-5
10	Resistance Setting	
11	Animal Score Display	ON/OFF
12	Background Sound	ON/OFF
13	Volume	0-10
14	Is Save Coins	ON/OFF
15	Back	

**Target Score**

1	Small Animal	1-10	
2	Middle Animal	1-20	
3	Big Animal	1-50	
4	Leopard & Rhinoceros & Buffalo	1-100	
5	Lion & Elephant	1-100	
6	Big Five	1-500	
7	White Lion	1-1000	
8	Back		

**Resistance Setting**

1	Small Animal	1-7	
2	Middle Animal	1-7	
3	Big Animal	1-7	
4	Leopard & Rhinoceros & Buffalo	1-7	
5	Lion & Elephant	1-7	
6	White Lion	1-7	
7	Back		

**Input Test**

	English	Note
1	Coin Mech	ON/OFF
2	Server Button	ON/OFF
3	Repair Button	ON/OFF
4	Lower Hook	ON/OFF
5	Door Switch	ON/OFF
6	Back	

**Output Test**

	English	Note
1	Lower Hook Light	ON/OFF
2	Resistance	0-7
3	Out Prize	ON/OFF
4	Shake	ON/OFF
5	Big Bonus	0-10
6	Back	

**Game Reset**

	English	Note
1	Reset Configs	
2	Clear All Records	
3	Clear Out Prize	
4	Clear Insert Coins	
7	Back	

**Date/Time Setting**

	English	Note
1	Year	
2	Month	
3	Day	
4	Hour	
5	Minute	
6	Second	
7	Back	
8	Back & Apply	

**Bookkeeping**

	English	Note
1	Payer	
2	Insert Coins	
3	Used Coins	
4	Prize out	
5	Earned Coins	
6	Prize out / game	
7	Back	

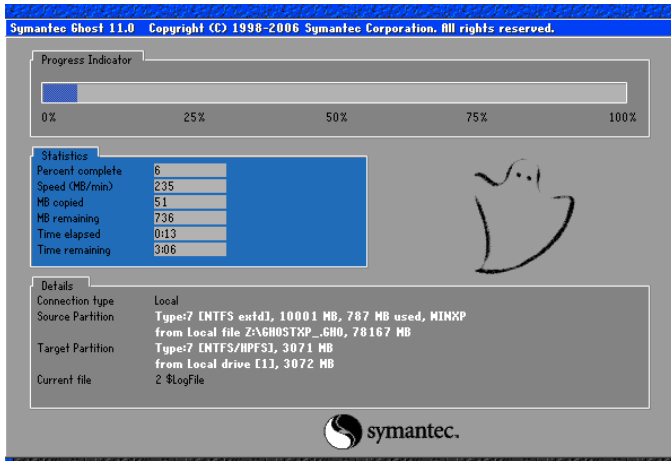
## 7. ERROR MESSAGE AND RECOVERY

### 7.1 Trouble Shootings

- Please confirm whether every connector connected tightly.

Troubles	Cause	Methods
Cannot start with power on	Power source not fit	Check and replace it
	Residual current circuit breaker turned off	Check and turn it on
	Voltage is not 110V	Replace the power source
Blank screen with Open WINDOWS sound and power on	VGA signal line loosen	Draw and insect it. If not for the supply port, check VGA signal line
	Monitor broken	Change monitor. Please call 4006-020-321 for after-sales service
	Game procedure reports error	Update game again
Start normally but crash sometime in process	Video card loosen or not touch firmly	Reinstall the video card
	Computer crash	Restart it or restore system
No reaction from coin mech	Coin mech broken	Replace coin mech
	Coin mech's signal line loosen	Check and fasten it
	Not in DC12V	Change the voltage of power switch
	IO control-panel broken	Replace IO control-panel
Start normally but without sound	Volume shut down	Adjust volume
	Audio cable loosen	Check and fix it
	Power amplifier broken	Replace power amplifier
	Loudspeaker broken	Replace loudspeaker
Start normally but cannot enter gaming scene	VGA signal line loosen	Check if it is connected with IO firmly
	IO control-panel broken	Replace IO control-panel
	Dongle broken	Replace dongle
Lights not work	DC12V connecting line loosen	Check and fasten it
	Switch power source broken	Replace power source
	DC12V short circuit	Check and eliminate it
	Light control-panel broken	Replace control-panel

## 7.2 System Recovery Operation



1. Turn off the game. Insert the memory stick into the USB port at the back of the computer.
2. Restart PC to enter the system recovery screen as shown.
3. The game will automatically start recovery which will last about 5 minutes.

Please wait until process is complete.



4. Once system recovery is finished (as shown on the left), remove the USB flash drive from the computer and turn off the PC. Wait at least 30 seconds before restarting the PC.



**WARNING:** the USB flash drive should only be used to fix software errors. Using it for other purposes may cause unexpected results and damages.

## 8. MAINTENANCE & INSPECTION

### 8.1 Safety Check

Check the points listed before operating the machine. These checks are necessary for safe machine operation:

1. Try to run the game before operation each day.
2. Conduct monthly routine checks of game components ensure good working condition
3. Check the machine regularly for dust and clean when necessary.

**Note:** Parts and components require preventative maintenance to be kept running smoothly

### 8.2 Handling Precautions

When installing or inspecting the machine, be very careful of the following points and pay attention to ensure that the player can enjoy the game safely.

Non-compliance with the following points or inappropriate handling running counter to the cautionary matters herein stated can cause personal injury or damage to the machine



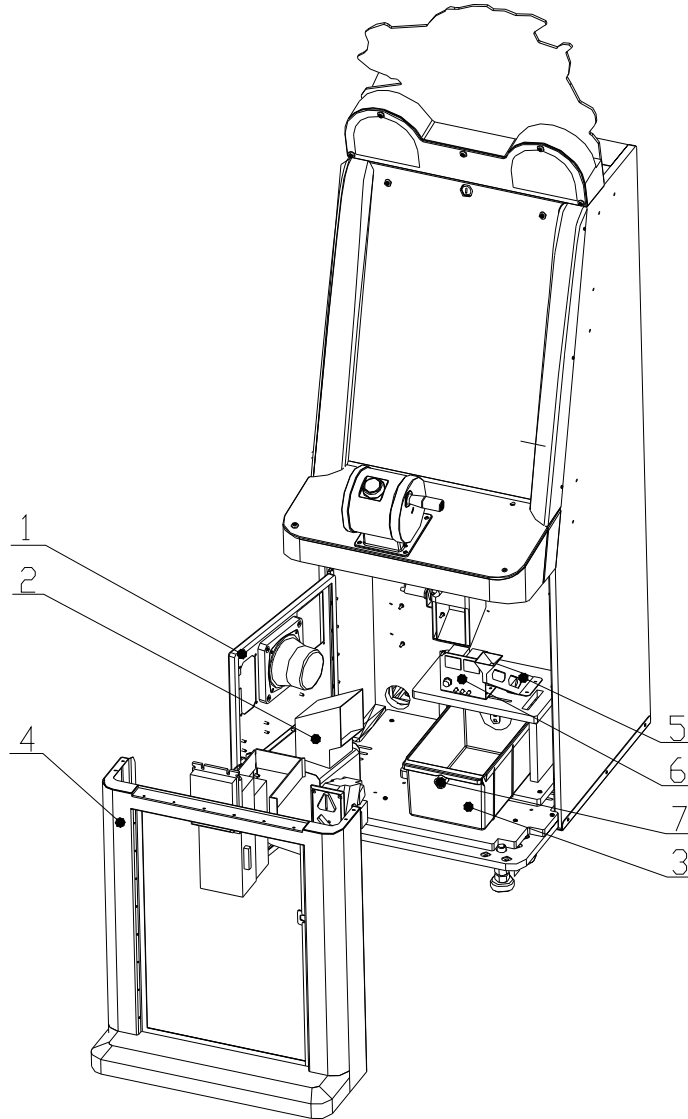
#### WARNING

- Before servicing the machine, be sure to turn the power off. Servicing without turning the power off can cause electric shock or short circuit.
- To avoid electric shock or short circuit, do not plug then unplug the power quickly
- Do not expose power cords and earth wires, these are susceptible to damage.
- Damaged cords and wires can cause electric shock or short circuit and should be replaced immediately.
- When or after installing the product, avoid pulling the power cord to prevent unnecessary wear and tear. Use the power button to disconnect power.
- In case the power cord is damaged, ask for replacement through where the product was purchased from or replace locally. Continued usage of damaged cord can cause fire, electric shock or leakage.
- Perform grounding appropriately. Inappropriate grounding can cause electric shock.
- Use fuses that meet specified rating. Fuses exceeding can cause an electric shock.
- Should a problem occur, turn off the power immediately and stop operating the machine. Unplug the power cord of the service outlet. Operating the machine without correcting the problem may cause a fire or injuries.
- Insert the power plug securely into the outlet. Poor contact may cause overheating, resulting in fire or burns.
- To ensure the warning labels attached on the machine are visible and legible, install the machine in a well-lit location, and keep the labels clean at all times. Make sure the labels are not hidden behind other game machines.

## 9. OVERALL CONSTRUCTION

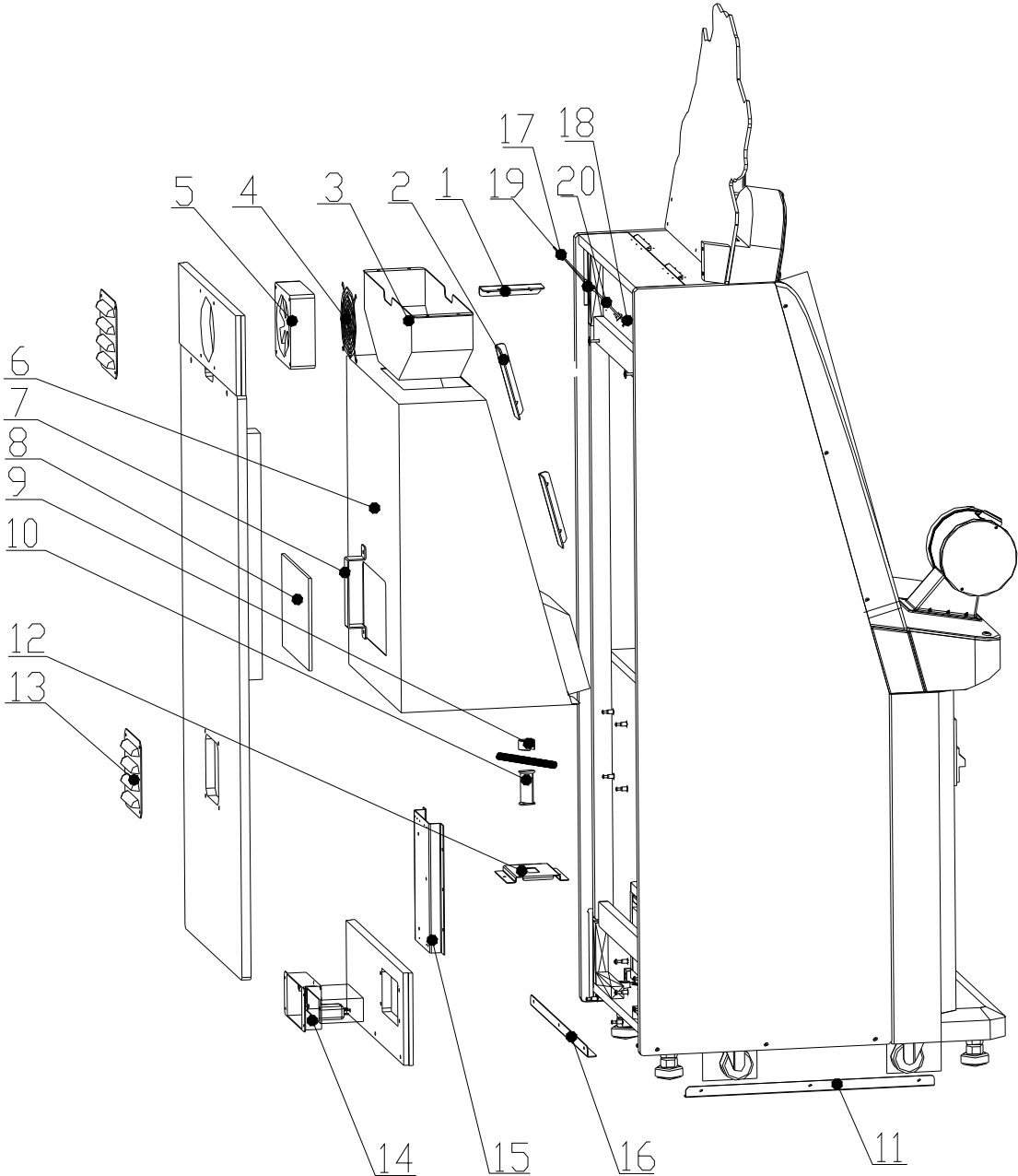
### 9.1 Mechanical Part

#### 9.1.1 Marquee Assembly



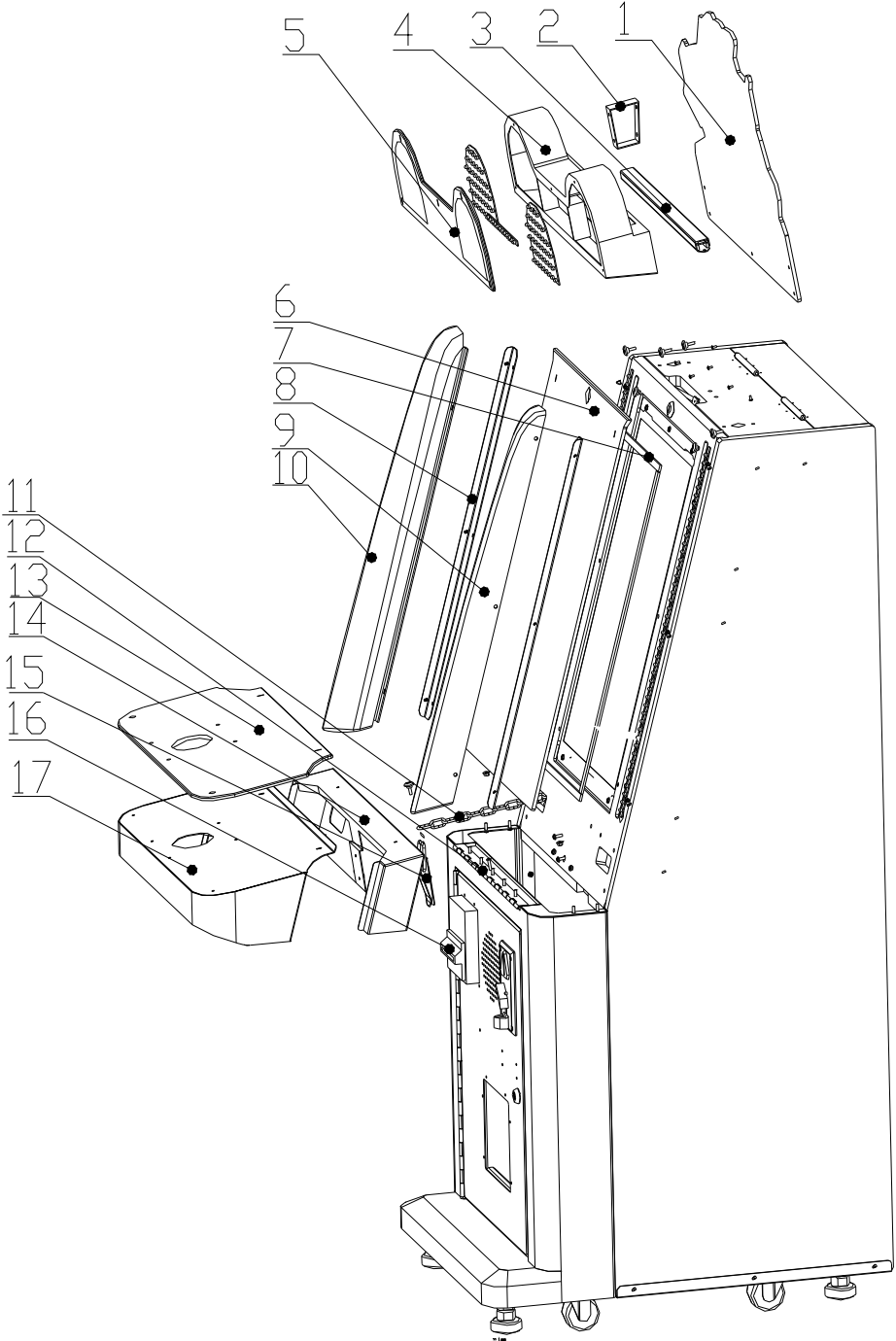
No.	Part No.	Code	Name	Material	Qty
1	S135-123-000	20241341H020	Front door plate	Q235	1
2	S135-125-000	20241341H019	Prize box	Stainless steel201	1
3	S135-163-000	26000062000	Coin inner box	Black ABS	1
4	S135-149-000	20211406K001	Front panel	Q235	1
5	S135-126-000	20241341H006	Coin rail	Q235	1
6	S135-161-000	26000044000	Meter bracket	Metal	1
7	S135-408-000	25300172001	Lock	171B	1

9.1.2 Cabinet Assembly



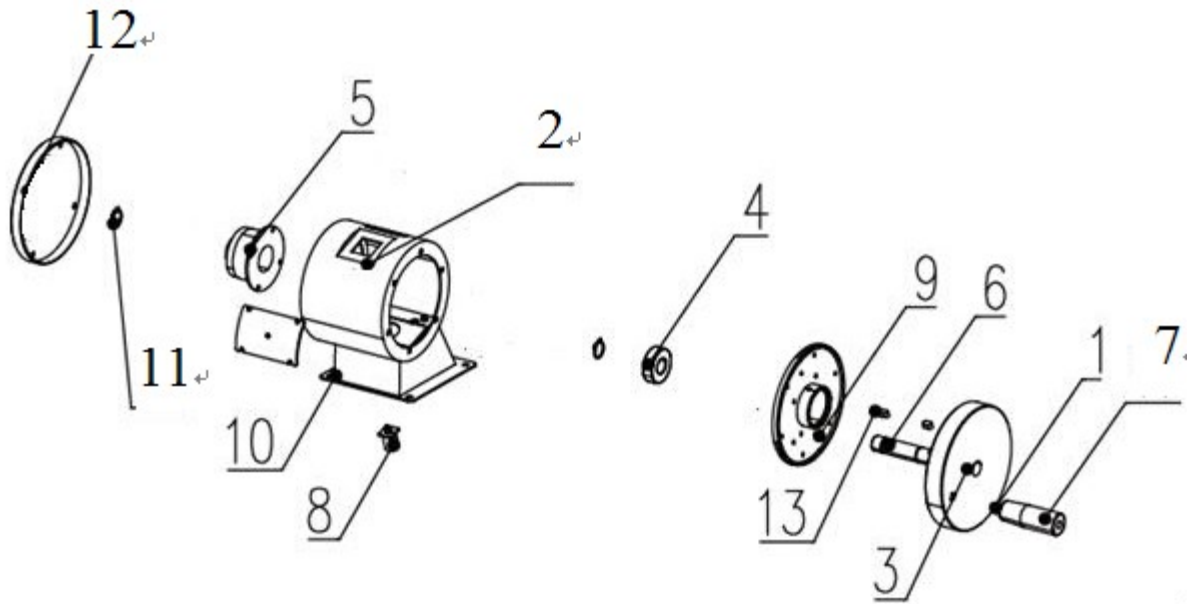
No.	Part No.	Code	Name	Material	Qty
1	S135-135-000	20241341H013	Funnel fixed plate	Q235	2
2	S135-137-000	20241341H015	Ball box fixed plate A	Q235	4
3	S135-134-000	20241341H012	Ball funnel	Q235	1
4	S135-445-000	22702000010	Exhaust fan net	4 inch	2
5	S135-444-000	22702010025	DC exhaust fan	XW-1238M12S DC12V 0.4A	1
6	S135-136-000	20241341H014	Ball box	Q235	1
7	S135-142-000	20241341H016	Ball box handle	Q235	2
8	S135-143-000	20641341H004	Observation door	Plexi.	1
9	S135-148-000	20641341H006	Spring sleeve	White nylon	1
10	S135-147-000	20241341H024	Lift plate	Q235	1
11	S135-107-000	20241324B017	Iron	Q235	2
12	S135-101-000	20241324B006	Battery platen	Q235	1
13	S135-158-000	26000014000	Window shades	Q235	1
14	S135-160-000	26000042000	Wiring box	Assy.	1
15	S135-156-000	26000001000	SW power supply base	Metal	1
16	S135-108-000	20241324B018	Iron	Q235	1
17	S135-131-000	20241341H021	Fixed plate A	Metal	2
18	S135-132-000	20241341H022	Fixed plate B	Metal	2
19	S135-129-000	20241341H001	Lock pin	Metal	1
20	S135-130-000	20241341H017	Lock bolt	45#	2

### 9.1.3 Control Panel Assembly



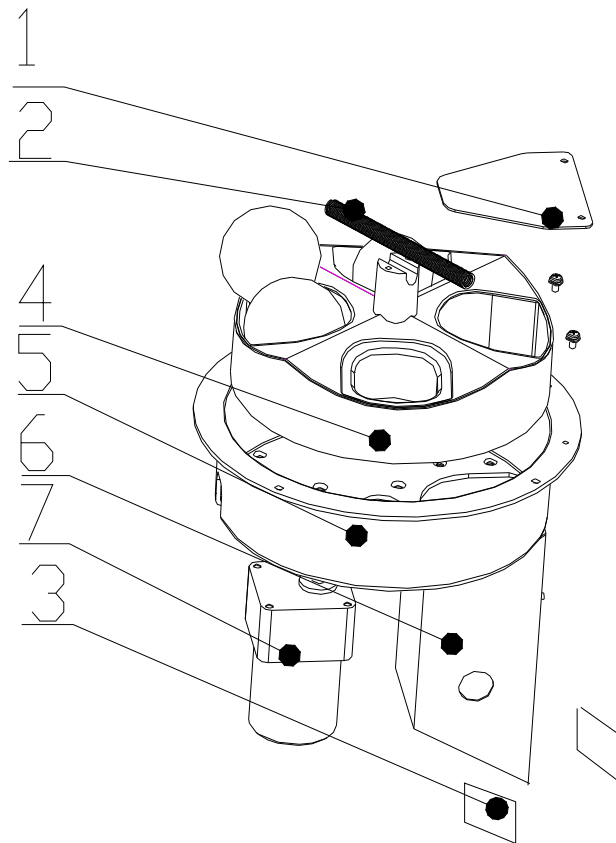
<b>No.</b>	<b>Part No.</b>	<b>Code</b>	<b>Name</b>	<b>Material</b>	<b>Qty</b>
1	S135-704-000	20511406K003	Marquee decal	δ5 plexi.	1
2	S135-127-000	20241341H008	Marquee R support plate	Q235	1
	S135-128-000	20241341H009	Marquee L support plate	Q235	1
3	S135-102-000	20641324B001	Light cover	PC	1
4	S135-151-000	20211406K003	Top marquee	Q235	1
5	S135-707-000	20511406K004	Pop board decal	POP+sticker	1
6	S135-704-000	20511406K001	Monitor decal	δ5 plexi.	1
7	S135-110-000	20641324B005	Monitor EVA bar	Black EVA	1
8	S135-105-000	20241324B016	Vacuum foam fixed plate	Q235	2
9	S135-111-000	20241324B020	R light cover	Yellow ABS	1
10	S135-112-000	20241324B021	L light cover	Yellow ABS	1
11	S135-109-000	20241324B036	Iron chain	Stainless steel	1
12	S135-106-000	20241324B035	Hinge 2	Stainless steel	1
13	S135-705-000	20511406K002	Control panel decal	δ5 plxei.	1
14	S135-103-000	20241324B031	Control panel fixed frame	Q235	1
15	S135-406-000	25102000001	Stainless steel buckle	C124	1
16	S135-124-000	20241341H005	DBV cover	Q235	1
17	S135-150-000	20211406K002	Control panel	Q235	1

## 9.1.4 Stick Assembly



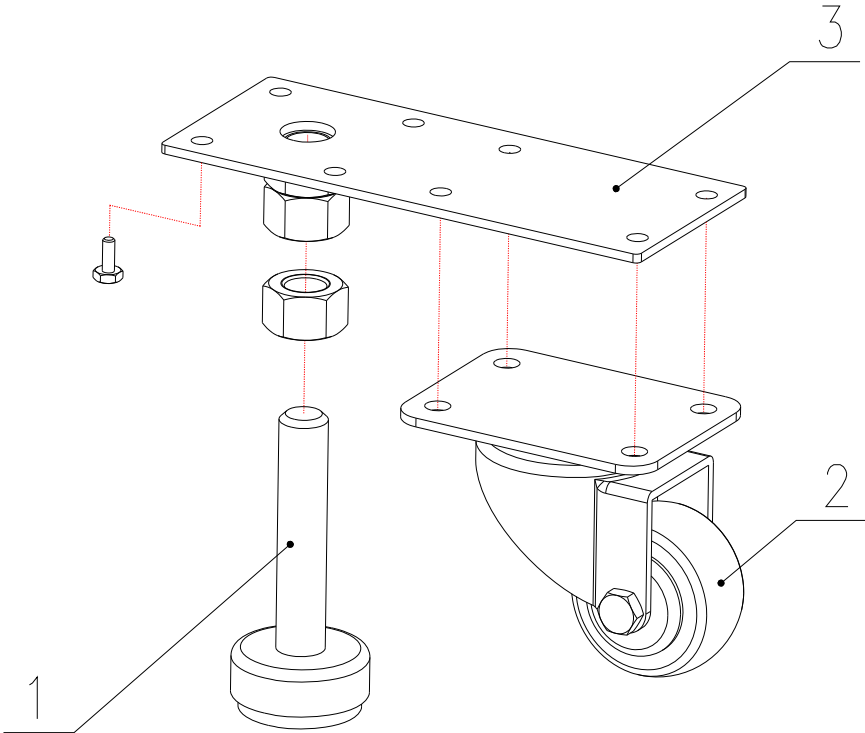
No.	Part No.	Code	Name	Material	Qty
1	S135-122-000	20641341008	Bolt	Q235	1
2	S135-120-000	20641341006	Outer ring	PC	1
3	S135-116-000	20241341020	Turnplate	Q235	1
4	S135-401-000	20106000060	Deep groove ball br.	6202ZZ	2
5	S135-405-000	23413000004	Hollow br. Magnetic powder	24V 0.3NM	1
6	S135-117-000	20241341021	Central br.	Stainless steel 201	1
7	S135-118-000	20641341004	Rotation handle	Nylon	1
8	S135-403-000	20741341101	Shake motor	6-24V	1
9	S135-114-000	20641341003	Br. base	PC	1
10	S135-121-000	20641341007	Base	PC	1
11	S135-302-000	20105000152	B type circlip	do15	2
12	S135-119-000	20641341005	End cap	PC	1
13	S135-402-000	20115005007	A type flat key	5×5×10	1

### 9.1.5 Capsule Assembly



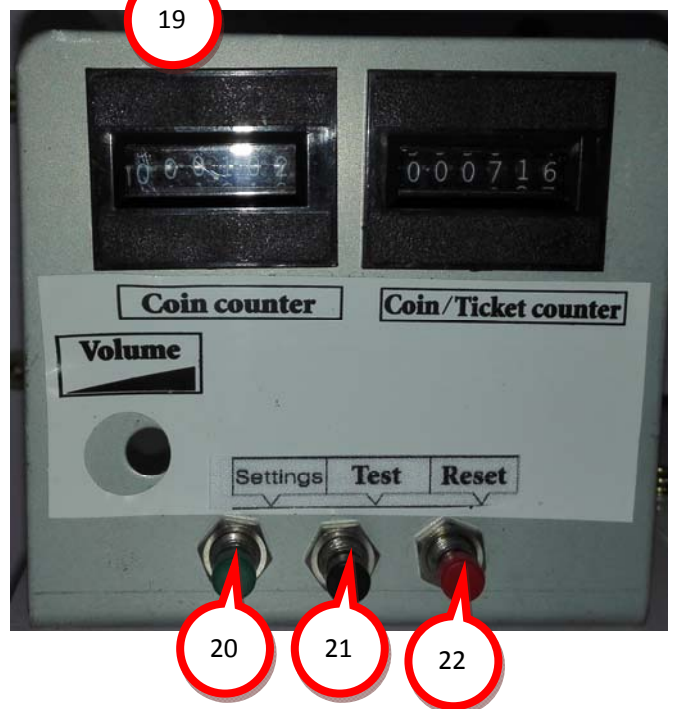
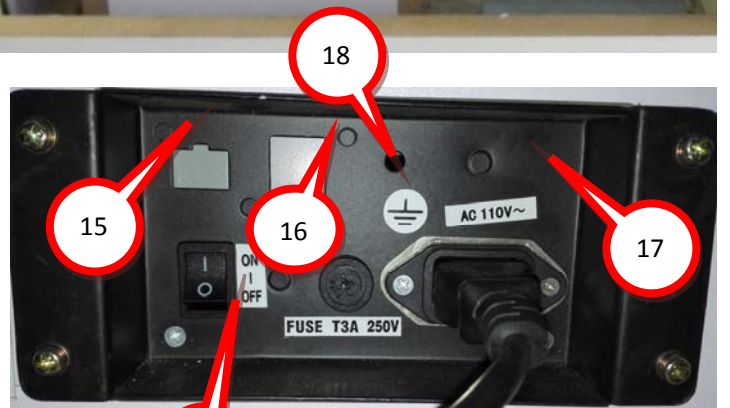
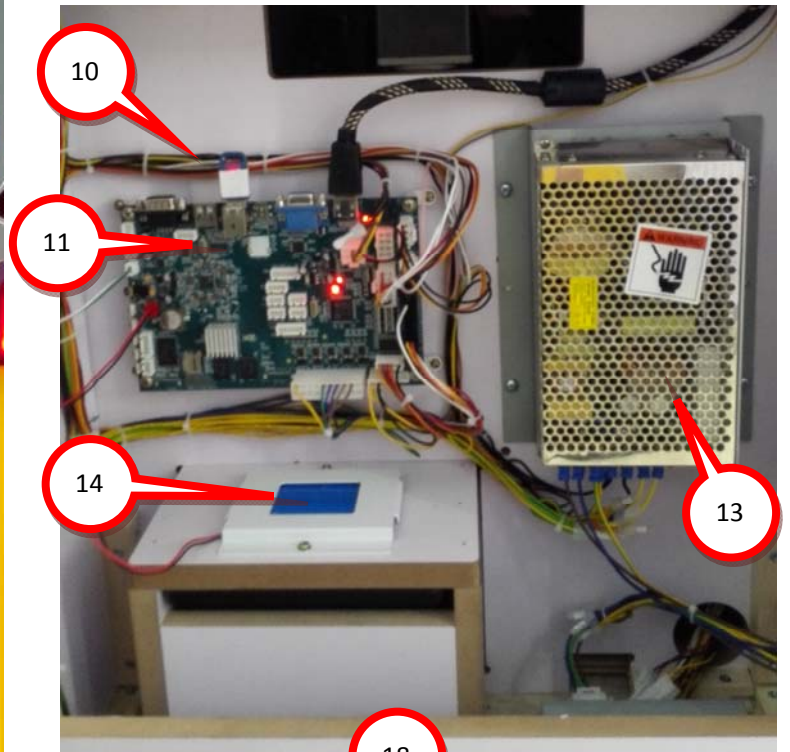
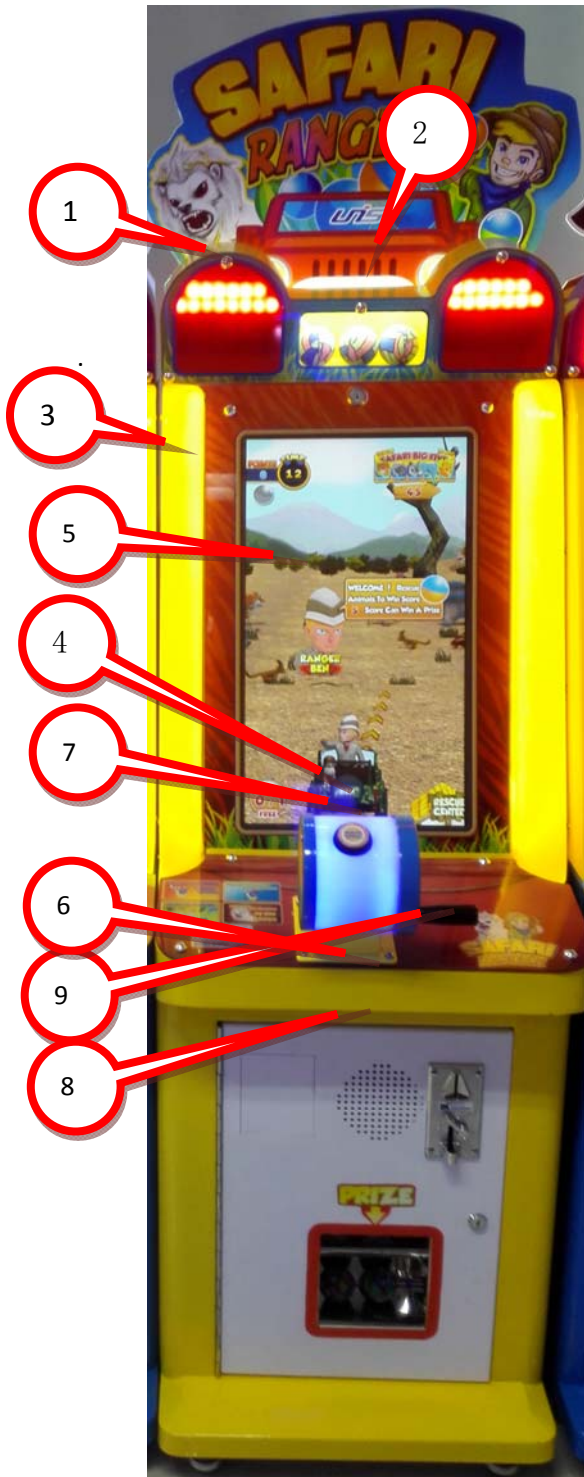
No.	Part No.	Code	Name	Material	Qty
1	S135-145-000	20241341H002	Capsule plate	Metal	1
2	S135-146-000	20241341H023	Sweep ball spring	65Mn	2
3	S135-453-000	21705000006	Sensor PCB	HW2558.PCB	2
4	S135-154-000	20641341K002	2" capsule inner turnplate	ABS	1
5	S135-152-000	20641341K001	2" capsule outer turnplate	ABS	1
6	S135-155-000	20241341K001	Detector tube	Q235	1
7	S135-404-000	23404000107	DC gear motor	Z2D6-12GN-18S/2GN180K	1

### 9.1.6 Castor Assembly



No.	Part No.	Code	Name	Material	Qty
1	S135-157-000	26000009000	Leveller	Q235	4
2	S135-409-000	25501000003	Castor	2" 2069-44	4
3	S135-113-000	20241324B028	Castor plate	Q235	4

### 9.2 Electrical Assembly



No.	Part No.	Code	Name	Material	Qty
1	S135-432-000	29741341004	Eyes light	WXXGC-LED1.PCB(V1.0)	2
2	S135-447-000	22002013003	Prize light	DC12V 3528LED 60z/m white	0.15
3	S135-447-000	22002013003	Sides light	DC12V 3528LED 60z/m white	1
4	S135-441-000	22402000201	Confirm button	57-1820-02 白色	1
5	S135-433-000	21201021003	Monitor	21.5"	1
6	S135-446-000	22801000047	Speaker	15W	1
7	S135-431-000	29741341005	Controller light	22XHD-DGLED.PCB(V1.0)	2
8	S135-448-000	22003080009	Prize out light	W5630-LC40cm-60z/m-DC12V	1
9	S135-440-000	22301000001	Coin mech.		1
10	S135-451-000	23309000188	Wirings		1
11	S135-428-000	21107210020	A31S android PCB	MB-A31S(V2.0)	1
12	S135-435-000	23307010003	DVI convert HDMI video cable	DVI-HDMI(1.0M)	1
13	S135-427-000	21602000094	Power supply	MW-S-150-12(12V/12.5A)	1
14	S135-429-000	21107210021	Battery	HSLD350709,3.70V/2500mAh	1
15	S135-426-000	22601000005	Rocker SW	T125/55	1
16	S135-424-000	21901000010	Fuse	Φ5×20mm T3A 250VAC	1
	S135-418-000	21902000006	Fuse base	R3-11 110V/250V/10A	1
17	S135-434-000	23301018002	Power cord	3x18AWG 0.5M UL	1
18	S135-417-000	23201000001	Filter	YB10A1 10A/250V	1
19	S135-436-000	23000000006	Meter	C-012 12VDC 18CPS	2
20	S135-437-000	22402030002	Green button	PB:11C02R	1
21	S135-438-000	22402050001	Black button	PB:11C02R	1
22	S135-439-000	22402010002	Red button	PB:11C02R	1

## 10. Decals



No.	Part No.	Code No.	Name	Material	Qty
1	S135-705-000	20511406K004	POP decal	POP	1
2	S135-704-000	20511406K003	Marquee decal	δ5 plexi.	1
3	S135-710-000	20511406K009	Rescue mechanism L decal	PVC	1
4	S135-710-000	20511406K009	Rescue mechanism R decal	PVC	1
5	S135-709-000	20511406K008	Rescue button R decal	PVC	1
6	S135-703-000	20511406K002	Control panel decal	δ5 plexi.	1
7	S135-708-000	20511406K007	Prize out decal	PVC	1
8	S135-706-000	20511406K005	L decal	PVC	1
9	S135-707-000	20511406K006	R decal	PVC	1
10	S135-702-000	20511406K001	Monitor decal	δ5 plexi.	1





No.	Part No.	Code No.	Name	Material	Qty
1	S135-711-000	20511406K012	Meter label	PVC100u	1
2	S135-719-000	25600000067	Service notice label	PVC100u	1
3	S135-718-000	25600000042	Service notice label 1	PVC100u	1
4	S135-724-000	25600000095	New service label(large)	PVC100u	1
5	S135-712-000	20511406L001	Un-certification 220V nameplate	1mmpvc	1
6	S135-714-000	20511406L003	Dongle label	PVC100u	1
7	S135-713-000	20511406L002	Un-certification 110V nameplate	1mmpvc	1
8	S135-701-000	20541341H010	Capsule instruction	PVC100u	1
9	S135-722-000	25600000073	Fuse T3A/250V	PVC100u	1
10	S135-721-000	25600000072	New voltage 220V	PVC100u	1
11	S135-720-000	25600000071	New voltage 110V	PVC100u	1
12	S135-723-000	25600000091	GND label	PVC100u	1
13	S135-715-000	25600000017	Power SW label B	PVC100u	1
14	S135-716-000	25600000036	High voltage warning (Small)	PVC100u	2
15	S135-717-000	25600000037	High voltage warning (Large)	PVC100u	1
16	S135-725-000	25600000096	New service label(Small)	PVC100u	1





Have Questions? Contact us!

[www.universal-space.com](http://www.universal-space.com)

 International Support Center	 USA Support Center
Tel: +1-905-477-2823 Fax: +1-905-477-2660 Email: <a href="mailto:service@universal-space.com">service@universal-space.com</a> (Contact: Clement Yau)	Tel: 972-241-4263 Fax: 214-919-4918 Email: <a href="mailto:tsnelling@unisusasupportcenter.com">tsnelling@unisusasupportcenter.com</a> (Contact: Tim Snelling)